

SAFETY TOP CAP-LITE[®] FENCE PROTECTION



15
YEAR
LIMITED
WARRANTY**

Specifications

Design: Durable and flexible plastic in an open tubular teardrop shape.

Multiple Uses: Primarily used in our safety yellow color for baseball outfields. This product is also growing in popularity at athletic fields, parks, playgrounds, and recreational facilities throughout the country.



COLORS:*

Safety Yellow

Safety Yellow is our standard (stocking) color, however, Safety Top Cap-LITE[®] can also be special ordered in our standard fence slat colors and Scarlet Red upon request - minimum order quantities apply.

Safety Top Cap-LITE[®] is a lighter and more affordable version of our premium Safety Top Cap[™].

With its teardrop shape, Safety Top Cap-LITE provides protection against bodily injury by covering the exposed knuckles or barbs on top of a chain link fence. It also increases visibility of the fence for player safety while acting as a decorative trim piece to enhance any galvanized or colored chain link system.

Comes conveniently cut in 8' lengths, and unlike some economy fence cap products, requires no special tools for installation.

Don't settle for competitive designs and styles that pose an installation challenge, do not blend with the natural contours on top of the fence, nor offer our impressive long-term warranty.

Safety Yellow

White

Black

Brown

Scarlet Red

Green

Royal Blue



PRODUCT TYPE	CAP HEIGHT	CAP WIDTH	CAP LENGTH	CONTENTS PER BAG	APPROX. COVERAGE PER BOX	BAG WEIGHT
Safety Top Cap-LITE™	4"	2 1/2"	8'	10 Top Caps • 40 Zip Ties	80 linear feet	20 lbs

QUALITY MATERIALS

Safety Top Cap-LITE is extruded from High Density Polyethylene (HDPE), color pigments, and ultra violet (UV) inhibitors, specifically designed to retard the harmful effects of the sun and lengthen the life of the product.

HIGH DURABILITY

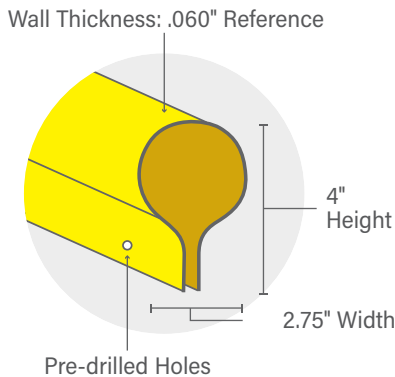
Manufactured using Pexco PDS[®] HDPE plastic with UV stabilizers. This product is designed to endure high impact, to resist the harmful effects of the sun, and withstand severe weather conditions, salt water, sand, road dirt, most acids, alcohol, alkaline, ammonia, petroleum distillates, and common environmental pollutants.

EASY MAINTENANCE

Pressure cleaning of surface contaminants is quickly accomplished with plain water.



INSTALLATION INSTRUCTIONS



STEP 1:

Simply "snap" over the top of the fence and lock to the wire mesh with plastic zip ties (included with each package) through the pre-drilled holes on each piece.

SECURITY:

Resist vandalism by using the zip ties to easily attach the Safety Top Cap-LITE to the fence.

HDPE TECHNICAL PROPERTIES

Melt Index

(.35) Optimum extrusion processing conditions for Fence Slats

Density

(.945) Polyethylene ranges anywhere from .914 to .960 in density

Minimum Temp.

(-70°) Under no stress, HDPE remains flexible at this temperature

Maximum Temp.

(180°) Under no stress, HDPE will not distort at this temperature

Tensile Strength

(4,000 psi) HDPE will not distort at lesser loads or impacts

* Exact representation of slat colors in printing is difficult. Please refer to actual color samples for final matching.
Covered by one or more of the following patents: US Patent **6,068,243 / 5,165,664 / 5,234,199**

** Safety Top Cap-LITE carries a 15-year, pro-rata warranty against breakage under normal conditions. Write Pexco for full warranty information.
Wind Load Disclaimer: Pexco will not be responsible for damage due to wind load conditions resulting from insufficient structural support.